

Installation Instructions - Universal Fan Hardware and Wiring Kits, Single Fan: Part #1000 (12v), #1001 (24v) Dual Fan: #1002 (12v), #1003 (24v)

**BEFORE COMMENCING INSTALLATION, PLEASE READ THESE INSTRUCTIONS THOROUGHLY.
FAILURE TO COMPLY MAY VOID YOUR WARRANTY**

A. PREAMBLE

Congratulations on purchasing a Davies, Craig Universal Thermatic Fan Hardware Kit and/or the Dual Fan Wiring Kit to suit all 12v/24v Thermatic Electric Fans.

B. KIT REQUIREMENTS

The Davies Craig Universal Fan Mounting Kit (**#1000 & #1001**) includes all parts necessary for mounting & wiring a single 12v or 24v fan. The Davies Craig Universal Dual Fan Mounting Kit (**#1002 & #1003**) includes all parts necessary for mounting & wiring dual 12v or 24v electric DC fans. If you wish to thermatically control the electric fan(s) you should purchase a Davies, Craig Thermatic Switch Kit, Part **#0401**, **#0400** Combo Kit, Part **#0404** or a Twin Fan Thermatic Controller Switch Part **#0444** or Digital Gauge Thermatic Fan/EWP Switch Part **#0500** from your retailer. If you wish to cool both the radiator and AC condenser you should purchase Part **#0444**, **#0500** or the Thermatic Switch & Relay Kit, Part **#0404** - which contains the Thermatic Switch with an extra relay and wiring loom for the AC.

C. FAN ORIENTATION

All Davies Craig Thermatic Fans offer reverse polarity for either **upstream** (in front of radiator) or **downstream** (on the engine side of the radiator) operation and the fan blade can be easily reversed. To reverse the operation of your fan, refer to the Installation Instructions supplied with your fan.

***All Davies Craig Thermatic Fans leave the factory set up for upstream operation.**

D. INSTALLATION OF THERMATIC FANS

BEFORE mounting your fan assembly, you **MUST** check the directional arrow → on the fan blade or hub and ensure the blade is correctly orientated for your intended operation (**upstream** or **downstream**) as once the fan is installed the arrow may not be visible.

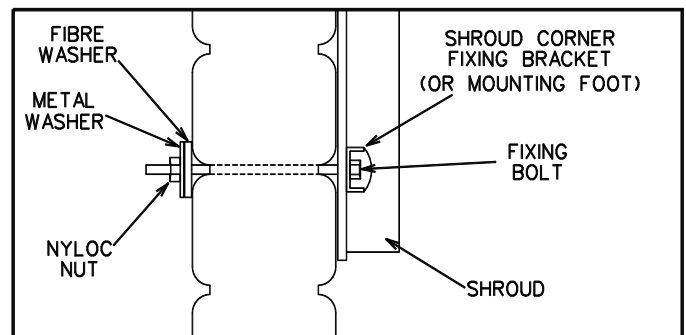
***All Davies Craig Thermatic Fans Must Rotate in The Direction of the Arrow → regardless of upstream or downstream operation.**

Position the fan assembly directly on the face of the radiator/condenser close to the hot coolant inlet.

E. MOUNTING OF FAN ASSEMBLY

For upstream operation, take care the fan assembly does not foul any struts, bonnet latches etc. For downstream operation take care the fan assembly does not foul pulleys, belts, engine block etc.

Depending on the space available and the presence of an AC condenser, you may prefer to remove the radiator to ease the fitting procedure.



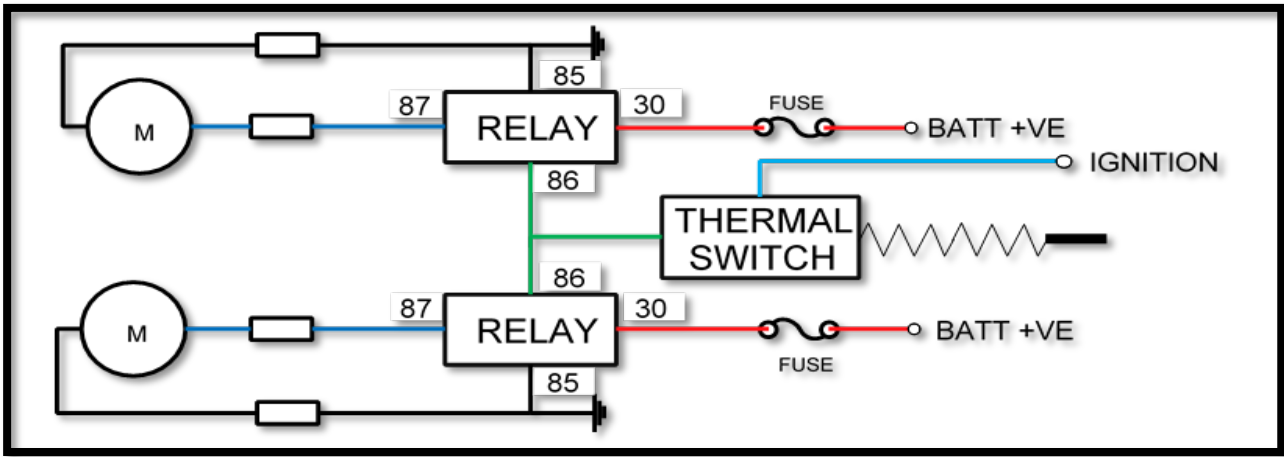
Place the fan in the required position. Carefully separate the radiator fins at the four mounting points. Use a "Phillips head" screw-driver or very blunt instrument to separate the fins, being careful not to damage the tubes

Secure fan to the radiator using the hardware provided. Ensure the long bolts, fibre and metal washers along with nuts provided are placed in the correct sequence, as per the diagram above. Please fit the appropriate fuse as per chart below;

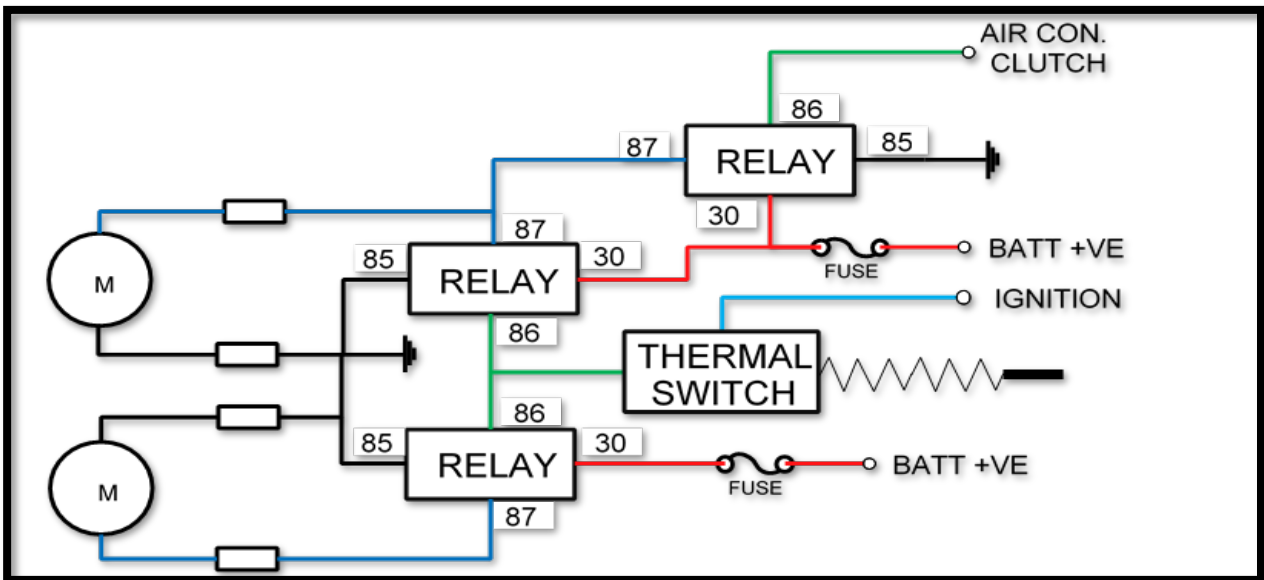
Fan Size	Voltage	Recommended Fuse (Amps)
8" 9" 10" 11" 12" 14"	12v	15A
14"HP & 16"	12v	30A
8" 9" 10" 12" 14"	24v	7.5A
14"HP & 16"	24v	15A

If in any doubt or you have any further questions please contact Davies, Craig direct on +61 (03) 9369-1234 or info@daviescraig.com.au

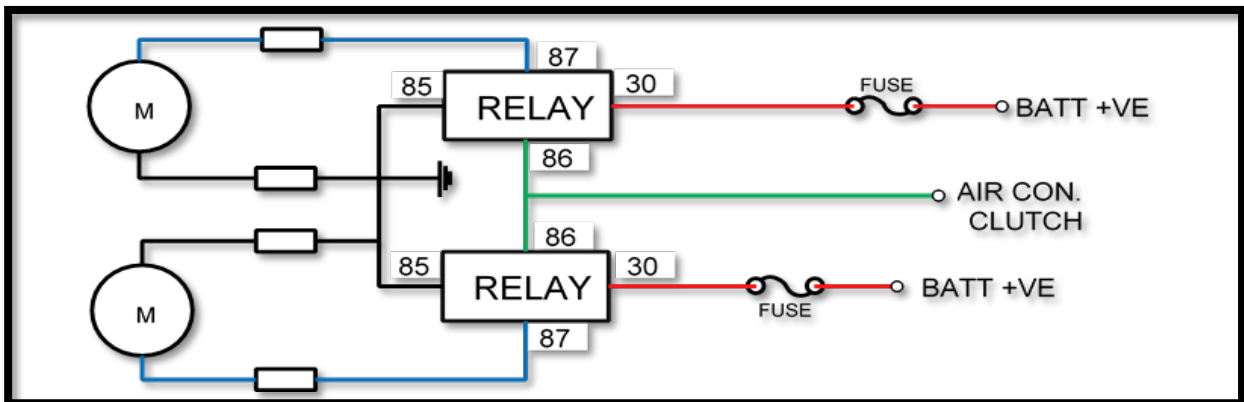
F. WIRING OF SINGLE AND DUAL THERMATIC FANS TO THERMATIC SWITCH
Twin Thermatic Fan Wiring Diagram



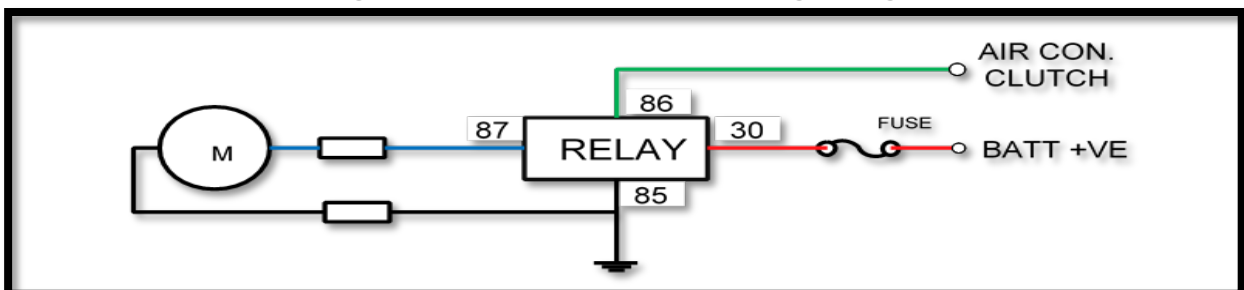
Twin Thermatic & Single Condenser Fan Wiring Diagram



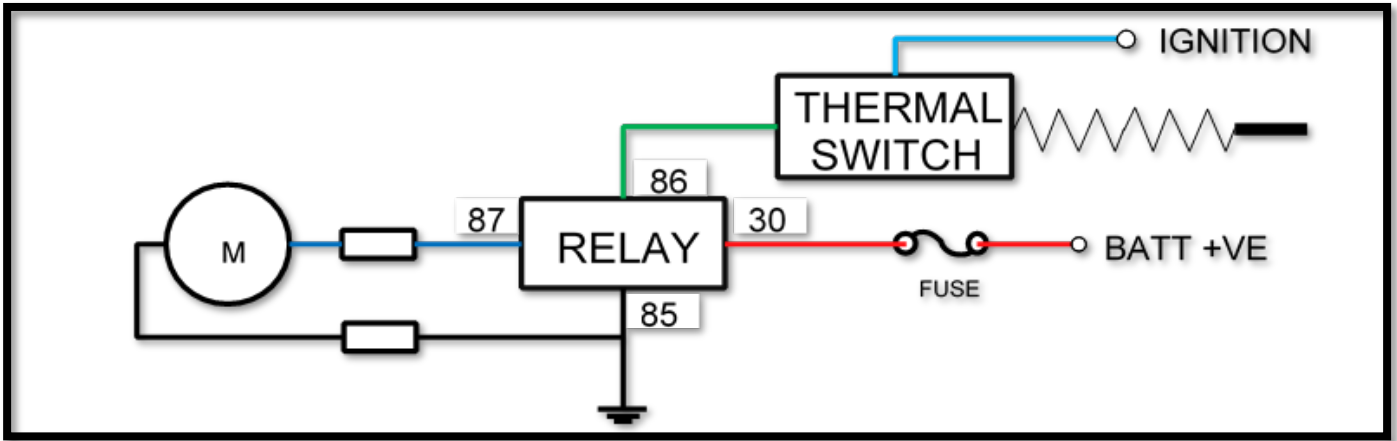
Twin Condenser Fan Wiring Diagram



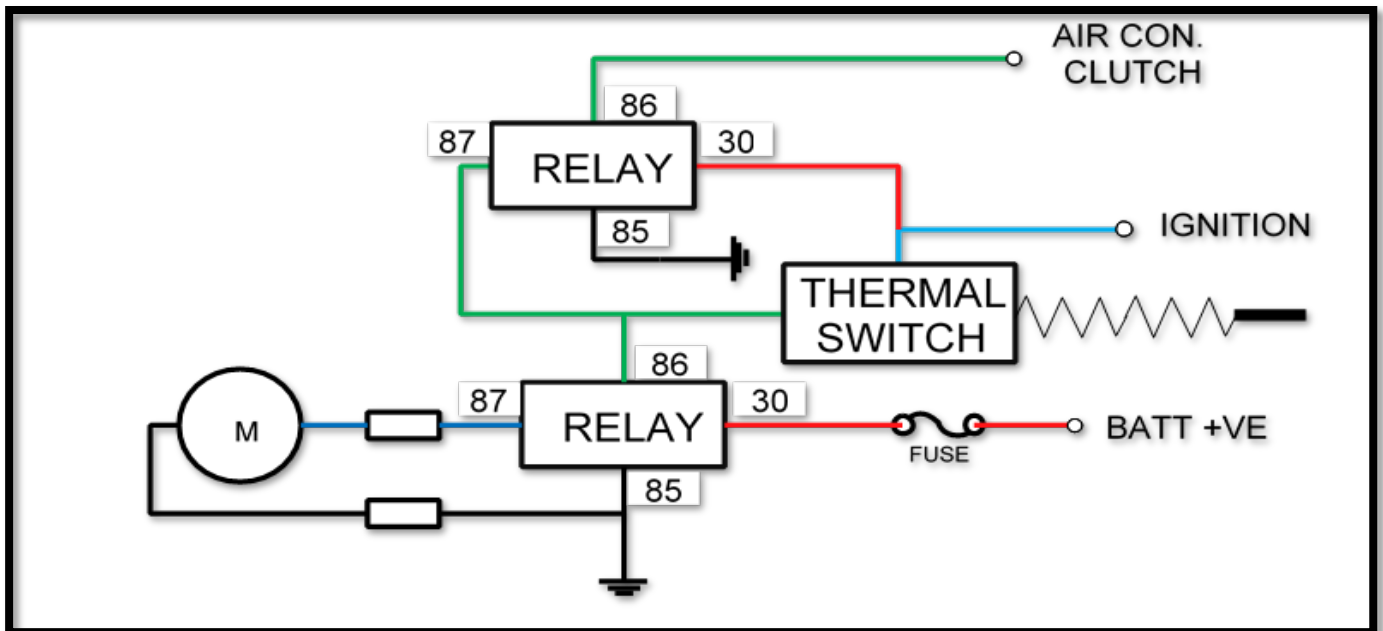
Single Condenser Fan Wiring Diagram



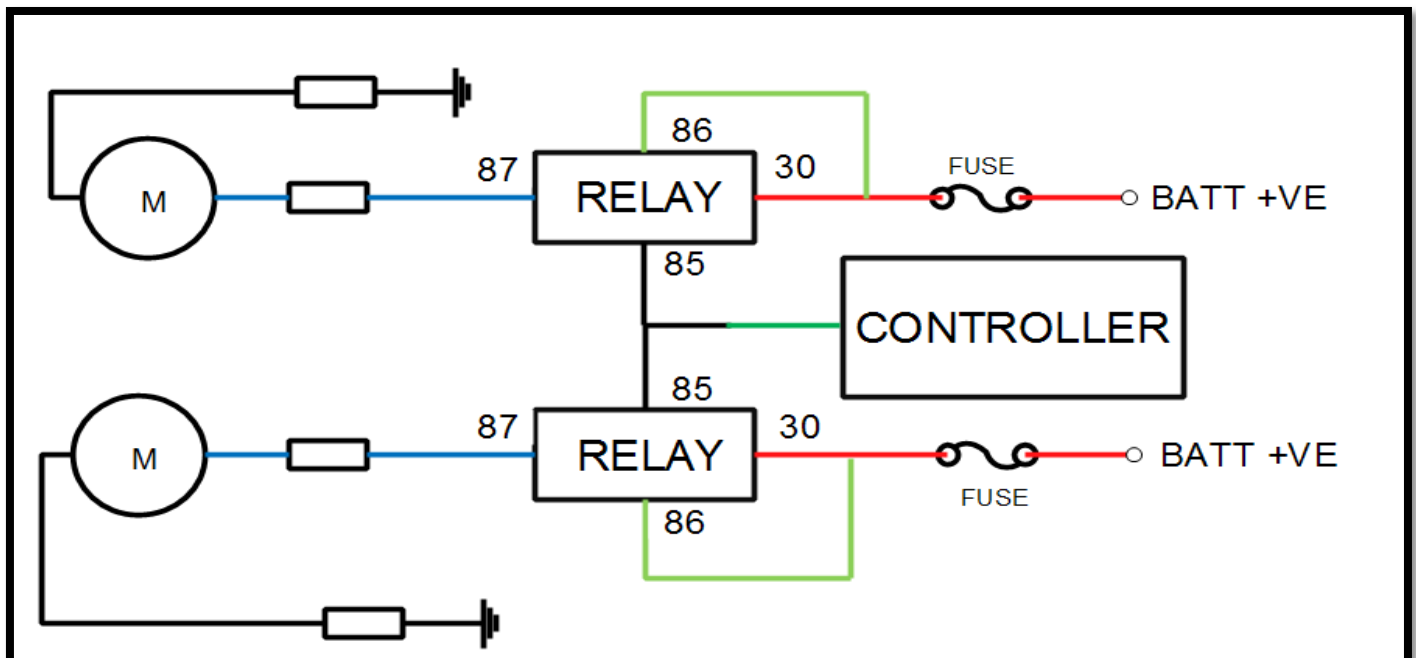
Single Thermatic Fan Wiring Diagram



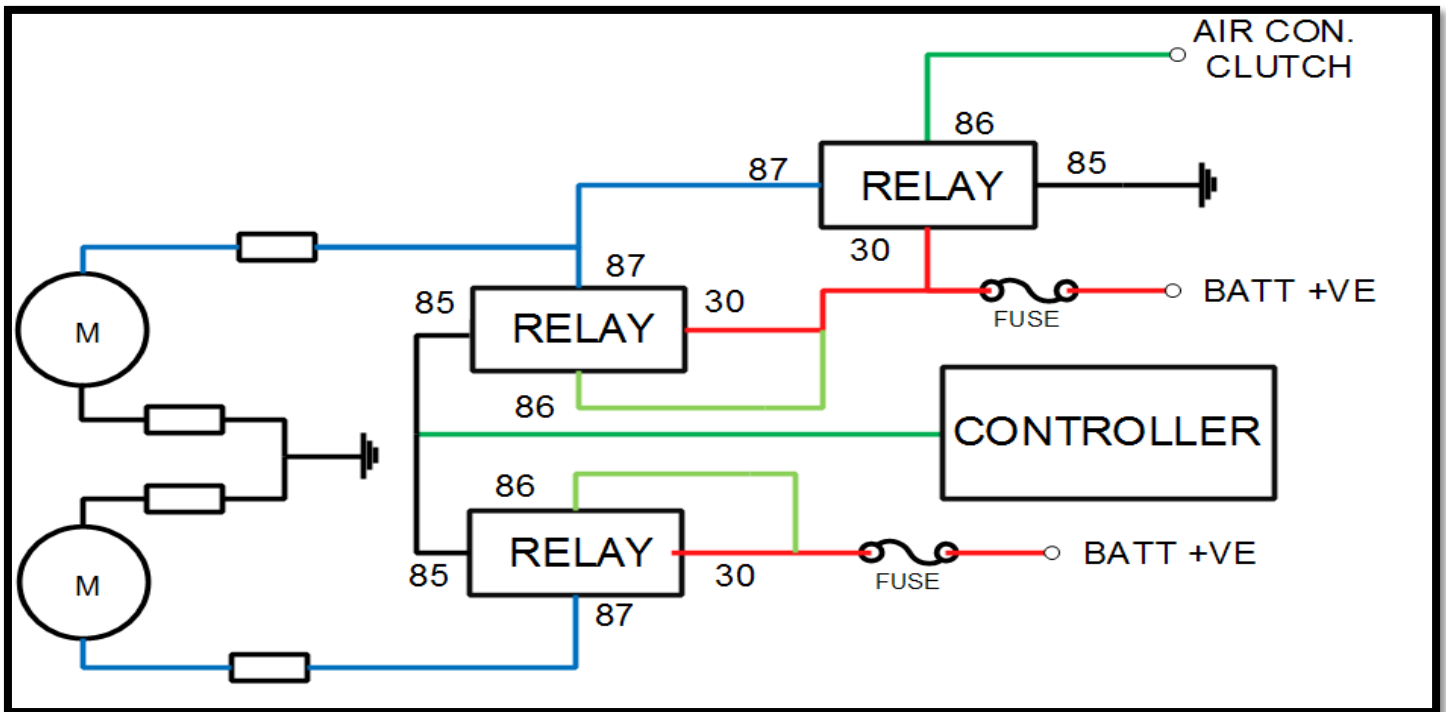
Single Thermatic & Condenser Fan Wiring Diagram



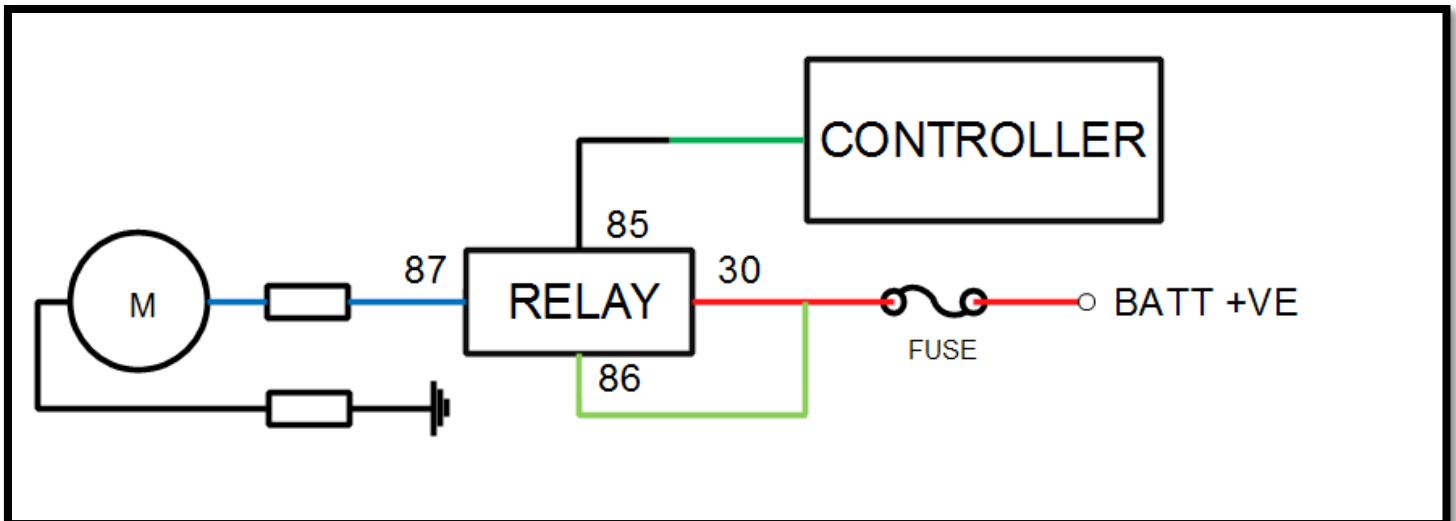
G. WIRING OF SINGLE AND DUAL THERMATIC FANS TO DIGITAL CONTROLLER Twin Thermatic Fan Wiring Diagram



Twin Thermatic & Single Condenser Fan Wiring Diagram



Single Thermatic Fan Wiring Diagram



WARRANTY

Davies, Craig Pty Ltd warrants for a period of two years from the date of purchase. Davies, Craig shall carry out, free of cost, any repairs that are reasonably necessary to correct any fault in the operation of your Davies, Craig product provided that such a fault is directly attributable to a defect in the workmanship or materials used in the manufacture of the part(s). This warranty is void if the product is misused, altered, tampered with or is installed or used in a manner that is inconsistent with Davies, Craig's written recommendations and/or installation instructions. Labour and consequential costs are excluded. **DAVIES, CRAIG PTY. LTD.**

REGISTER YOUR WARRANTY AT: www.daviescraig.com.au/warranty

**For all your automotive cooling needs, visit;
www.daviescraig.com.au**